

# ALAMO Grill

Assembly instructions



## Recommendations for the user



It is common for the first use of the grill to give off a smell of burnt paint. This is normal and part of the curing process, it will not occur in the future.



Remember not to touch any metallic surfaces while the grill is in use; it could cause severe burns.



The use of excessive embers on your grill can deteriorate it over time. This happens due to a by-product of the combustion process that deteriorates the metal sheet.



Be sure to store your grill in a dry place to prevent rusting.

# Congratulations!

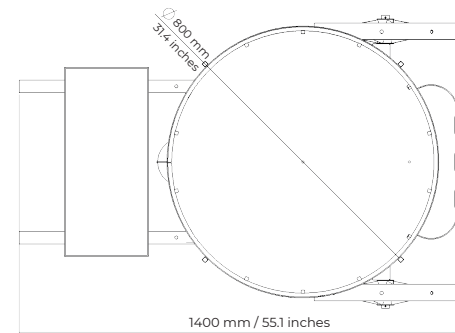
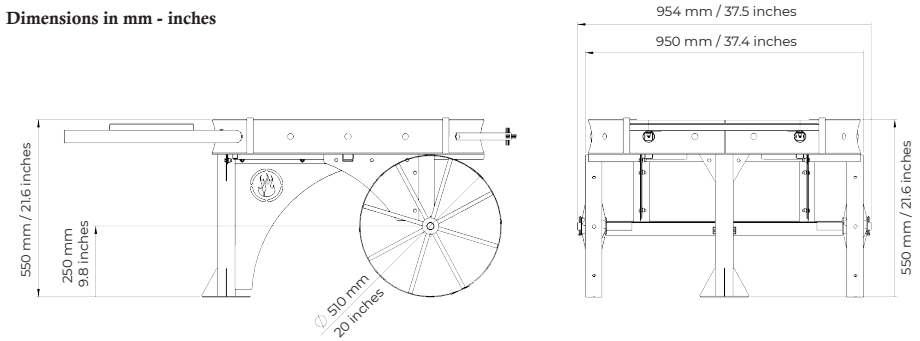
## Your grill has just arrived

### Safety warnings

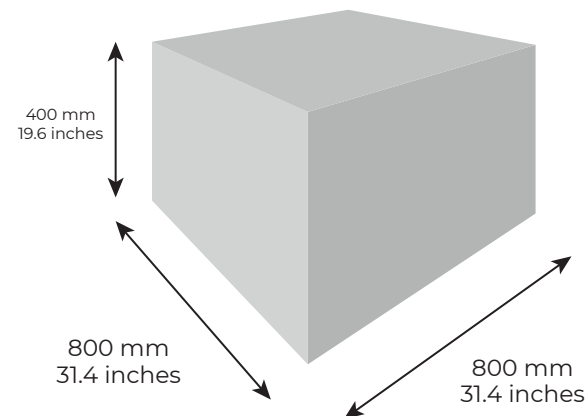
- Do not use your grill indoors, it should only be used outdoors. Otherwise, it may cause serious poisoning by smoke inhalation, fire or deterioration.
- Do not leave infants, children, or pets unattended nearby a lit grill.
- Do not add lighter fluid or any type of inflammable fuel
- Proceed with care when using your grill, it will maintain high temperatures.
- Do not remove the ashes until the charcoal is completely blown out and the grill is cold
- The use of abrasive cleaners on the grill or on the accessories may damage the surfaces.
- The grill should be cleaned regularly to remove ash to prevent deterioration of the surfaces.

### Alamo 80 General Dimensions

Dimensions in mm - inches



### Packaging dimensions



### WEIGHTS



Grill weight

**70 kg**

**154.3 pounds**



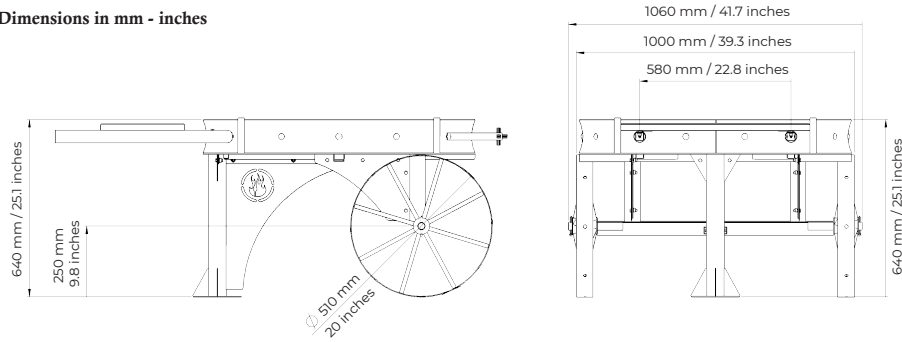
Weight with packaging

**90 kg**

**198.4 pounds**

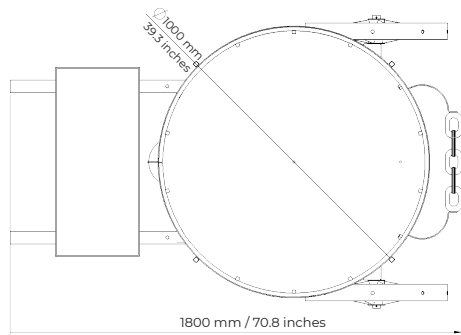
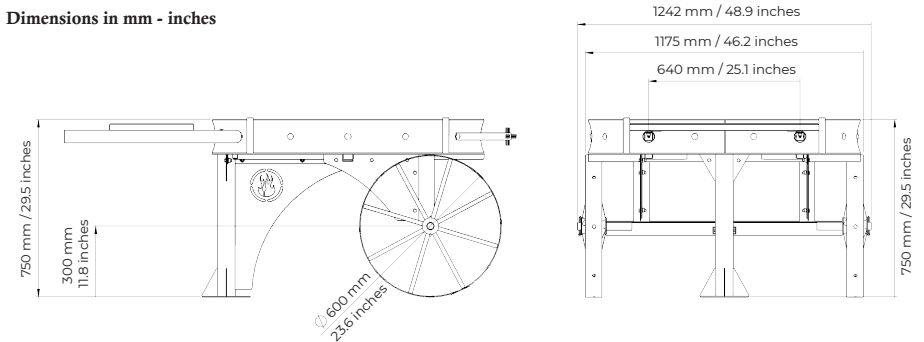
# Alamo 100 General Dimensions

Dimensions in mm - inches

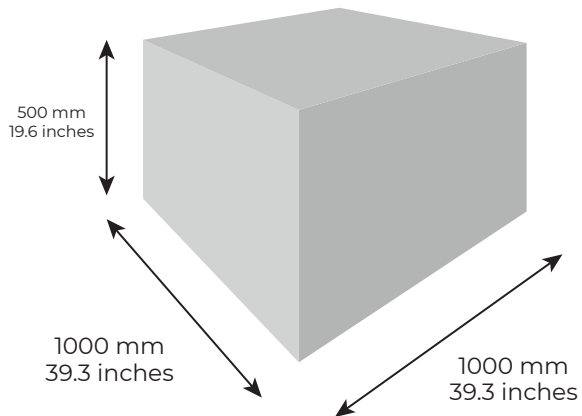


# Alamo 120 General Dimensions

Dimensions in mm - inches



## Packaging dimensions



## WEIGHTS



Grill weight

**93 kg**

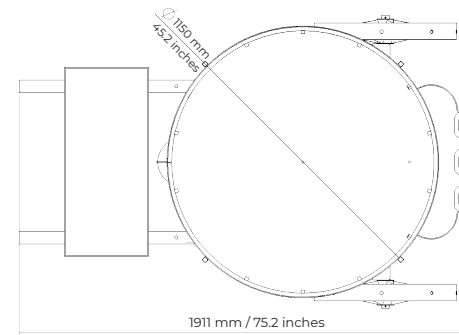
**205 pounds**



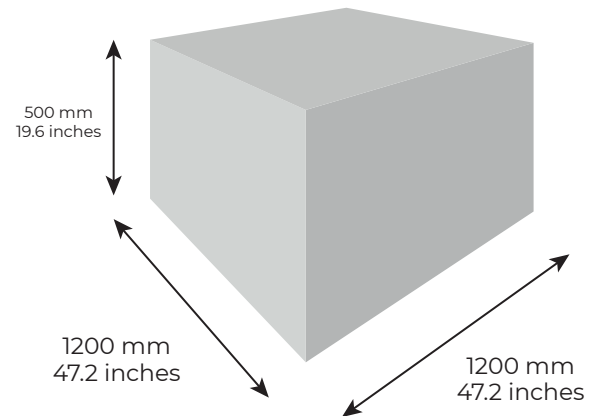
Weight with packaging

**139 kg**

**306.4 pounds**



## Packaging dimensions



## WEIGHTS



Grill weight

**110 kg**

**242.5 pounds**



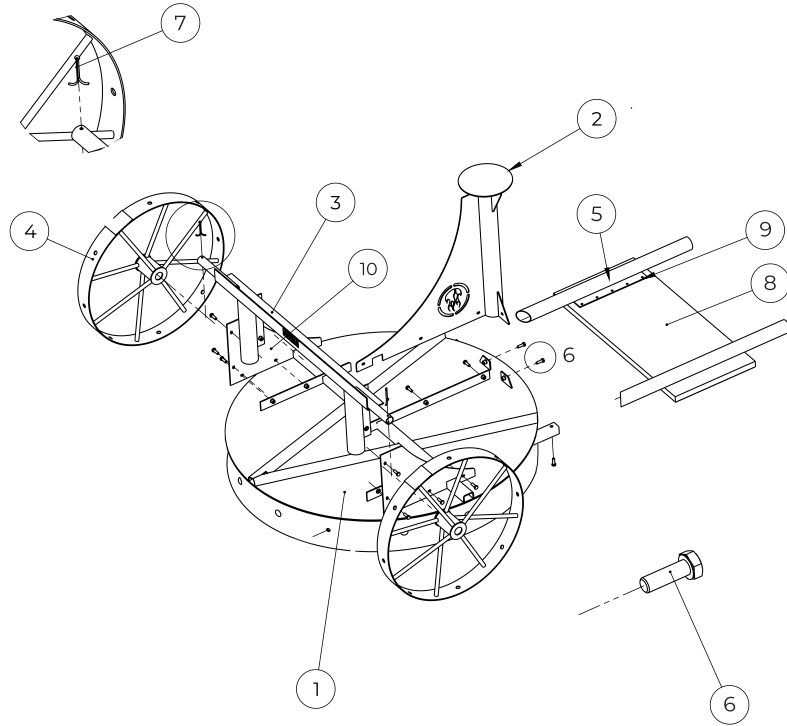
Weight with packaging

**140 kg**

**308.6 pounds**



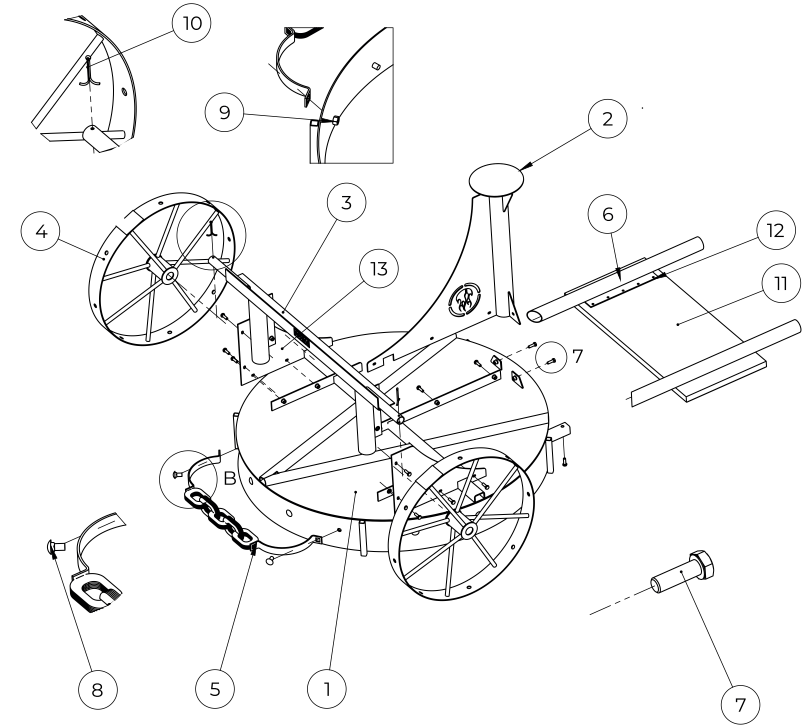
## ALAMO 80 Component Parts



Part	Name	Qty
1	Main body	1
2	Grill bracket	1
3	Wheel axle	1
4	Wheel	2
5	Handgrip	2
6	Bolt M8 x 25mm	17
7	Cotter pin 2,5 x 40 din 94	2
8	Wooden surface	1
9	Screws for wood	10
10	Lateral brackets	2

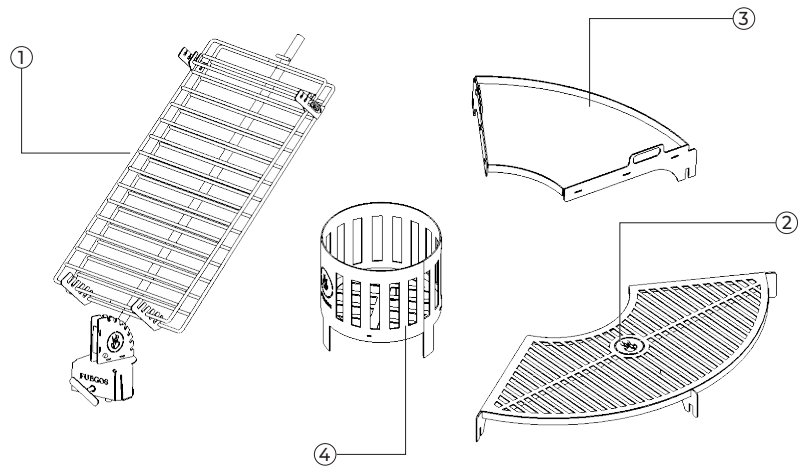


## ALAMO 100 & 120 Component Parts

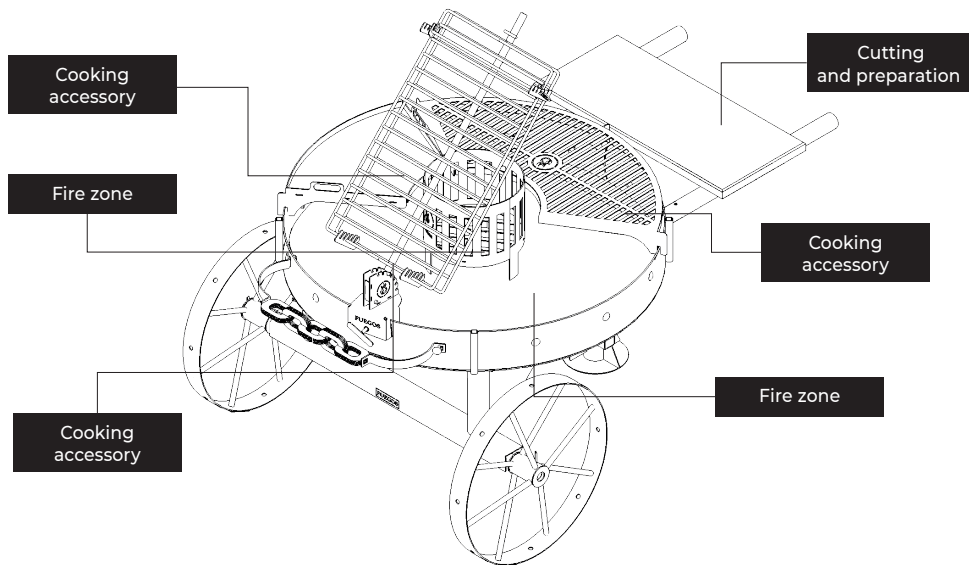


Part	Name	Qty
1	Main body	1
2	Grill bracket	1
3	Wheel axle	1
4	Wheel	2
5	Front trim	1
6	Handgrip	2
7	Bolt M8 x 25mm	17
8	Bolt 1/2 x 1"	2
9	Hexagonal Screw 1/2"	2
10	Cotter pin 2,5 x 40 din 94	2
11	Wooden surface	1
12	Screws for wood	10
13	Lateral brackets	2

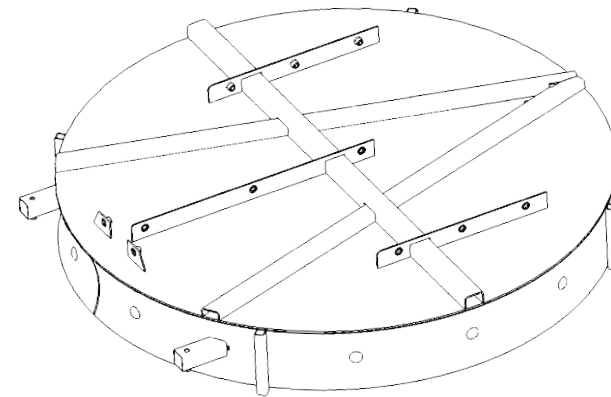
# Accessories included



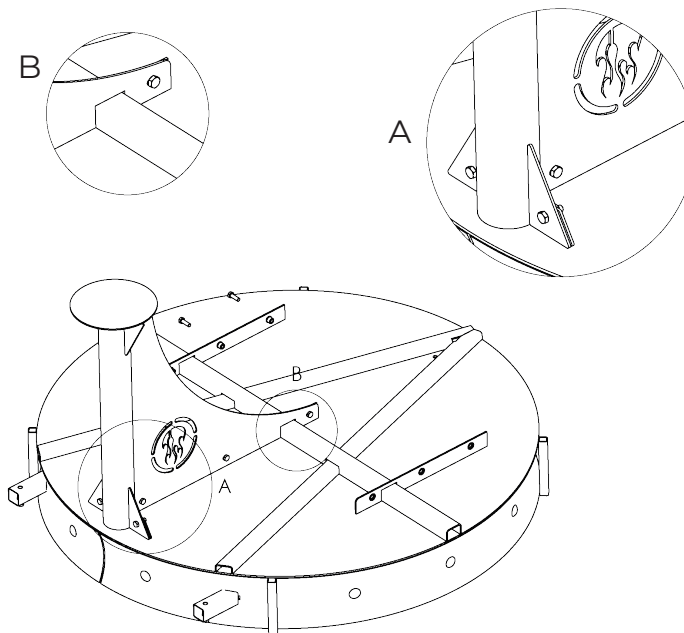
Part	Name	Qty
1	Clamp rack grill	1
2	Grill	1
3	Griddle	1
4	Brazier	1



# Assembly instructions



**Step 1:** Before starting the assembly of your grill, rotate the main body leaving the floor facing upwards, as shown in the picture.

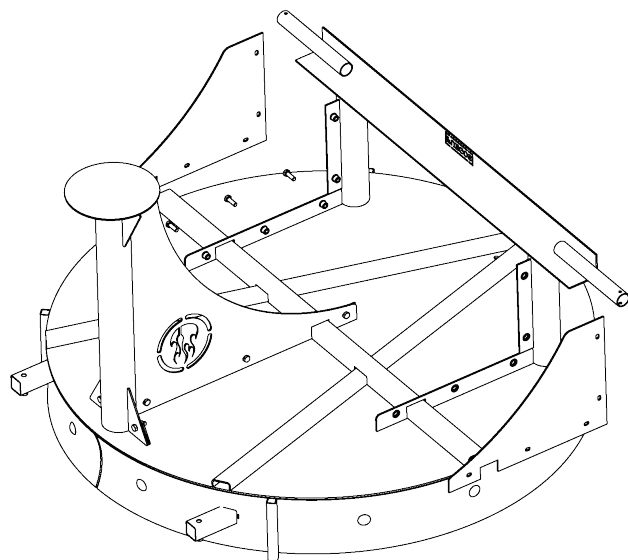


**Step 2:** Place the grill bracket by fixing it with the M8 x 25 bolts (provided).

**Necessary tools:**  
Wrench N° 13 or similar

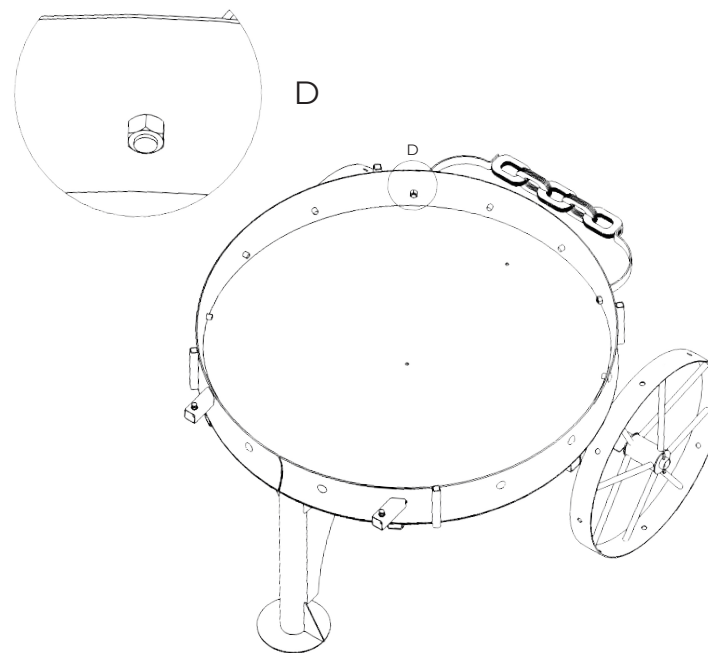
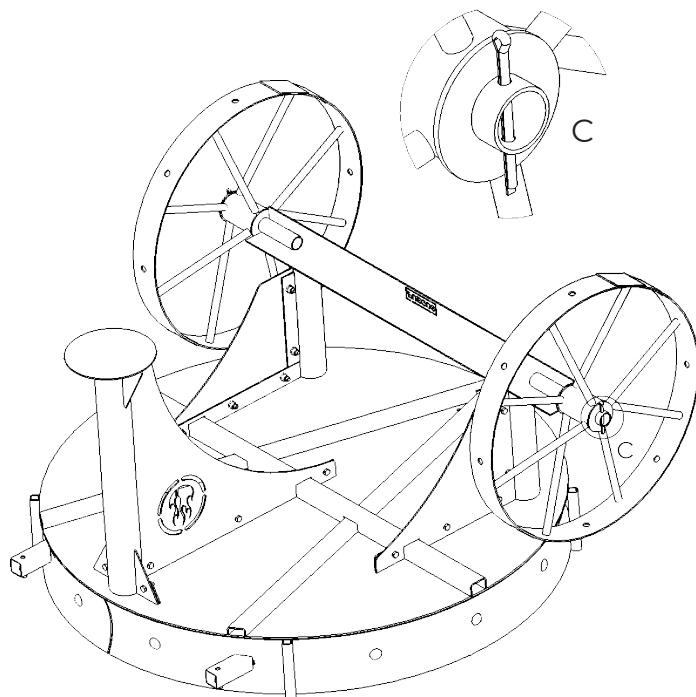
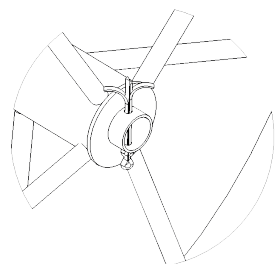
**Step 3:** Attach the wheel axle and lateral brackets fixing everything with the M8 x 25 bolts. (provided).

**Necessary tools:**  
Wrench N° 13 or similar



**Step 4:** Once the wheel is in position, insert the cotter pin into the axle hole and use a pair of clamps to bend the ends sideways to prevent the wheel from coming out.

**Necessary tools:**  
Clamp



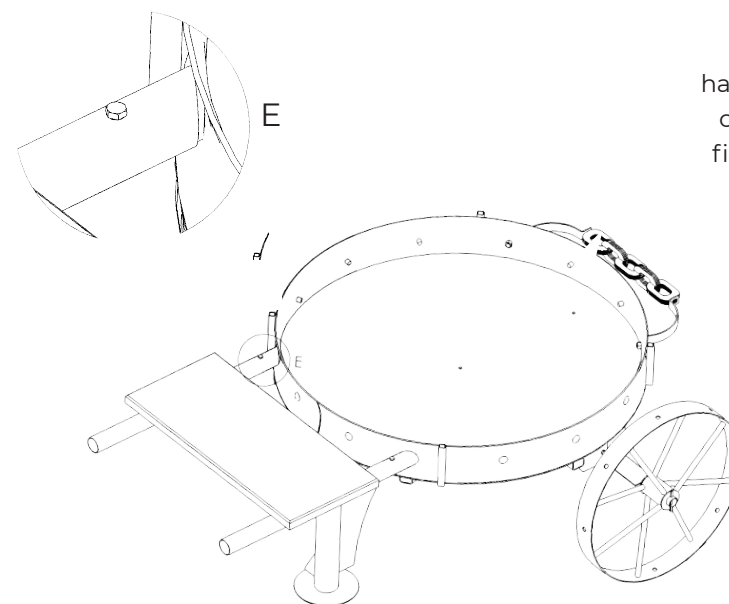
**Step 5:** Place the trim in position and fix the bolt 1/2" x 1" with 1/2" hex screw (included).

**Necessary tools:**  
Wrench N° 22 or similar

**REMEMBER**

This step is not necessary if you have an Alamo 80 grill.

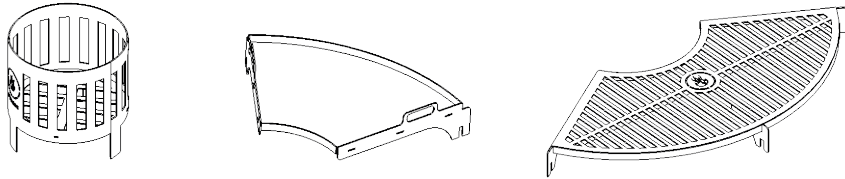
Alamo 80 grills do not have front trim.



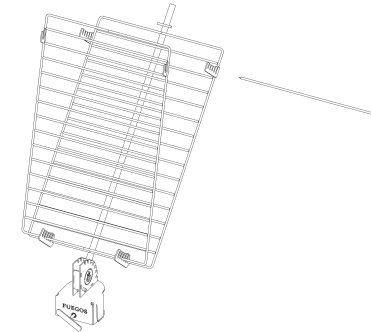
**Step 6:** Insert the handgrip into the pipes of the main body and fix the M8x 25mm bolt (included).

**Necessary tools:**  
Wrench N° 13 or similar

## Assembly of Accessories



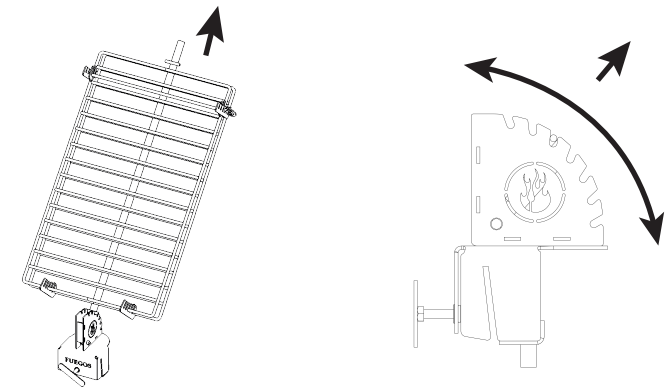
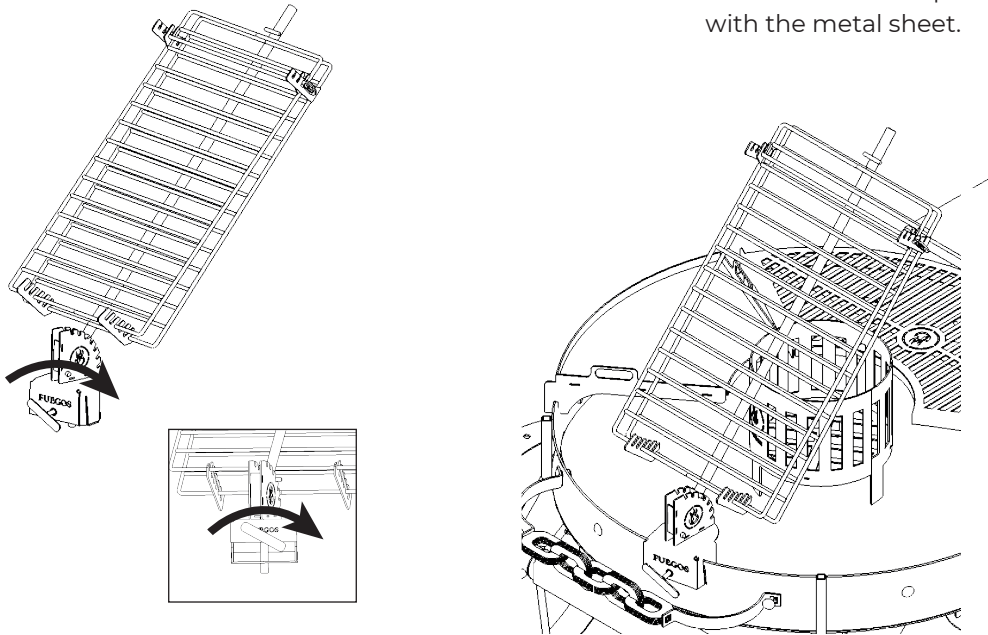
To cook with the clamp rack grill, remove the sword and lift the movable gratings. Then place the meat between the gratings, press and reposition the sword.



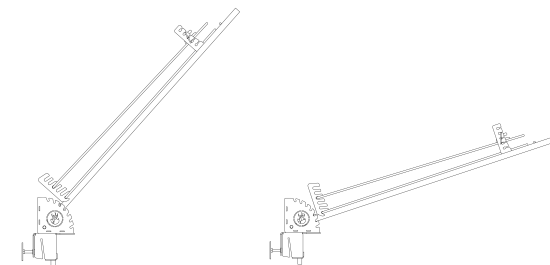
To adjust the position of the clamp rack grill, move the grating up slightly to unlock it, move it to the desired position and lock it again.

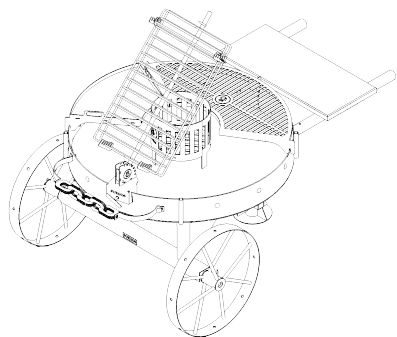
## Clamp rack grill

**Step 7:** To fix the Clamp rack grill accessory turn the threaded handle until it stops with the metal sheet.



You can adjust the position of the clamp rack grill to achieve faster or slower cooking of the meat. In this way, you will be able to obtain different cooking points.





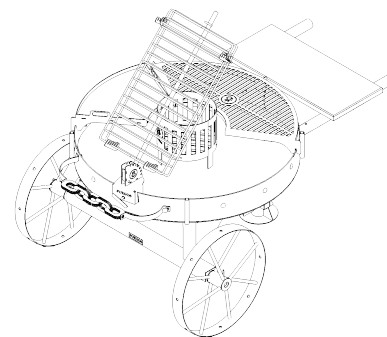
# ALAMO 80

Check list

Part	Name	Qty
1	Main body	1
2	Grill bracket	1
3	Wheel axle	1
4	Wheel	2
5	Handgrip	2
6	Bolt M8 x 25mm	17
7	Cotter pin 2,5 x 40 din 94	2
8	Wooden surface	1
9	Screws for wood	10
10	Lateral brackets	2

Part	Name	Qty
1	Clamp rack grill	1
2	Grill	1
3	Griddle	1
4	Brazier	1

Part	Name	Qty
1	Assembly manual	1



# ALAMO 100 & 120

Check list

Part	Name	Qty
1	Main body	1
2	Grill bracket	1
3	Wheel axle	1
4	Wheel	2
5	Front trim	1
6	Handgrip	2
7	Bolt M8 x 25mm	17
8	Bolt 1/2 x 1"	2
9	Hexagonal Screw 1/2"	2
10	Cotter pin 2,5 x 40 din 94	2
11	Wooden surface	1
12	Screws for wood	10
13	Lateral brackets	2

Part	Name	Qty
1	Clamp rack grill	1
2	Grill	1
3	Griddle	1
4	Brazier	1

Part	Name	Qty
1	Assembly manual	1